



# REM POWER®

Rheinland Elektro Maschinen

## SPARE PARTS LIST ERSATZTEILLISTE

---

**Model/Modell:**

HDEm 962II



Ref: IDAF41008  
Model: HDEm 962 II

Table: OVERALL

--	--	--	--	--	--	--	--	--	--

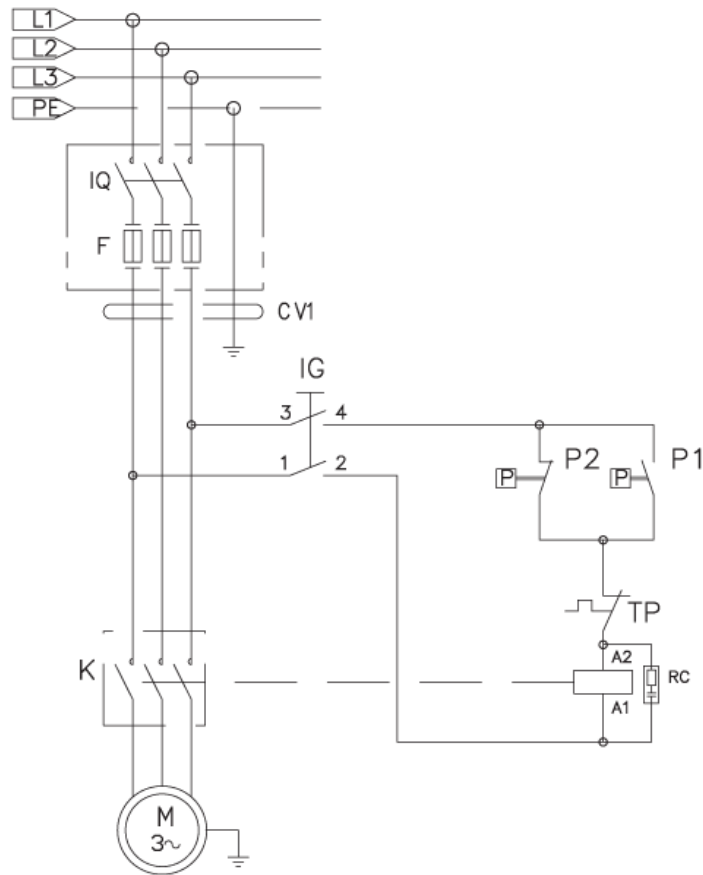
Ref. K	Part n.	Part n. 2	Description	Quantity	Validity		Price
					From	To	
0001	MPVR40329		CHASSIS PW-C40 PEHD BK	1,00			--
0002	LAFN40450		TROLLEY AXLE PW-C40 D.20 ZC.	1,00			--
0003	VTRS13945	00013945	WASHER D. 6X18 INX UNI 6593	2,00			--
0004	VTVT06242		SCREW TE M 6X 35 F/RD.ZN	2,00			--
0005	VTDD00491	00000491	NUT M 6 TEF	2,00			--
0006	ABGO40000		VIBRATION DAMP. 30X15- 1M8X 8 60SH GMn	1,00			--
0007	VTRS00509	00000509	WASHER D.20 PIANA Z. UNI6592	2,00			--
0008	RTRT40019		WHEEL D.250-D.20X 58 RES BK.	2,00			--
0009	VTRS28558	00028558	WASHER D.20	2,00			--
0010	MPVR40343		BLACK CAP D.50 G-48 BK.	2,00			--
0011	LAFN40456		BRACKET PW-C40 BK.	1,00			--
0012	MEVR20906	00020906	CABLE CLAMP KSM	1,00			--
0013	LAFN40457		SUPPORT PW-C40	1,00			--
0014	FTDT12702	00012702	FILTER PA	1,00			--
0015	RCVR29600	00029600	SOCKET PTC 3/4 F	1,00			--
0018	MOTR40029		3PH MOTOR C40/AC HP 6.0 2/4-50 4P	1,00			--
0019	PPAP40039		PUMP RC 14.16 DX N	1,00			--
0020	VVAZ40029		VALVE VRF-2 AR-R AF I.2.1	1,00			--
0022	RCDS87610	00087610	NIPPLE 3/4 - 1/2 CB D.13.0	1,00			--
0023	PVVR40183		CAP AR RC C/F. 1/8F+OR	2,00			--
0024	RCDS40111		COLUMN M-F 1/8 L=65 MM OT.	1,00			--
0025	MNMN93800		PRESSURE GAUGE 1/8 POST. 0-300 D.40 S/ST	1,00			--
0028	MPVR40335		BOX COVER PW-C40 ABS BK.	1,00			--
0029	MPVR23482	00023482	SWITCH TANG TEC. TUV	1,00			--
0030	GUGO25527	00025527	O-RING D. 14 X 3 NBR 70SH	1,00			--
0031	MPVR40334		CONTROL BOX PW-C4/50 ABS BK.	1,00			--
0032	GUGO33675	00033675	JOINT MOUSSE D. 4	0,90			--
0033	LAFN40830		SUPPORT PW-C85 INX	1,00			--
0034	MPVR40420		BLUE COVER PW-C40 PPL	1,00			--
0035	MPVR49057	00049057	BLACK KNOB P176-M.RACE PA6	1,00			--
0036	MPVR40849		TANK CAP 1-1/4F C/FR. d.1.5	1,00	10/10/2016		--
0036	MPVR60848	00060848	TANK CAP 1-1/4F	1,00		09/10/2016	--
0037	RCVR40046		CAP 1/4 M OT.NIK EI D. 6	1,00			--
0038	MPVR40346		HANDLE PW-C4/50 PST.BS PP BK.	1,00			--
0039	MPVR40347		HANDLE PW-C4/50 ANT.BS PP BK.	1,00			--
0040	MPVR80139	00080139	HOSE REEL H110	1,00	01/12/2011		--
0042	IPIP40009		GUN BIT-334 1/4M / M22X1,5 AR	1,00			--
0043	LCPR40037		EXTENSION P 50 M22 M -1/4F ZC.	1,00			--
0044	UGLN49987	00049987	NOZZLE LECH 1/4 15045	1,00			--
0066	PVVR40471		KNOB VRF-2 A.sf.	1,00	01/04/2018		--
0067	RCDS40172		SCREW 3/8 VRF-2 OT 4F.	1,00			--
0068	GUGO03510	00003510	O-RING D. 12.37 X 2.62 NBR 70SH	2,00			--
0069	LAFN40714		REINFORCEMENT PW-C40 ZC.	1,00			--
0070	RCDS40171		SCREW G 1/2 VRF-2 OT. 2F.	1,00			--

Table: OVERALL

--	--	--	--	--	--	--	--	--

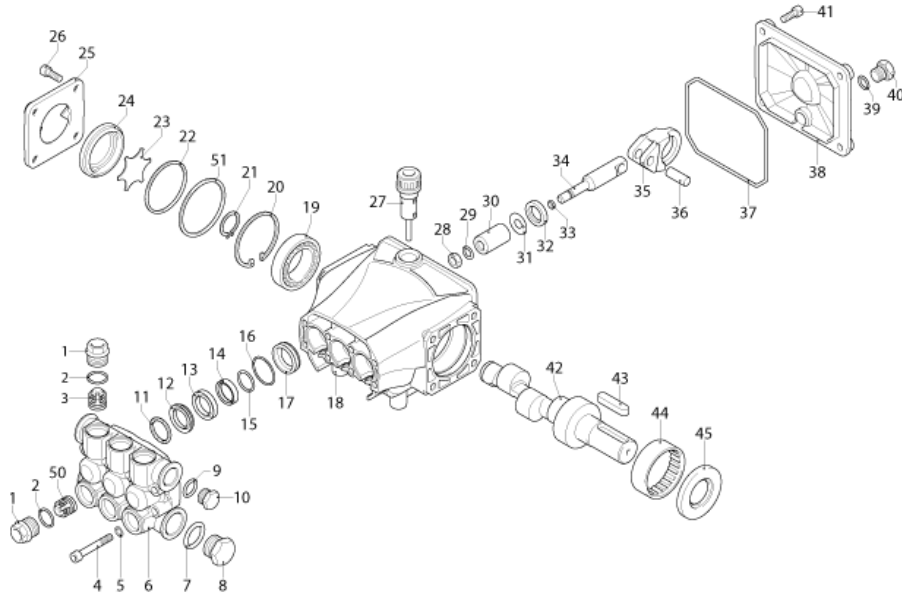
Ref. K	Part n.	Part n. 2	Description	Quantity	Validity		Price
					From	To	
0071	GUGO01048	00001048	O-RING D. 15.88 X 2.62 NBR 70SH	2,00			--
0073	RCDS40176		ELBOW 1/8" M/F CN. L=24 OT.	1,00			--
0074	RCDS40167		CONNECTOR L= 70 2X1/8M CN. IX.	1,00			--
0075	RCVR45741	00045741	NOZZLE HOLDER 1/4-1/8 F MTM	1,00			--
0076	VTRS00548	00000548	WASHER D.17,5X23X1,5 (3/8)RM	1,00			--
0077	VTRS00549	00000549	WASHER D.21,5X27X1,5 (1/2) RM	1,00			--
0078	RCDS59682	00059682	CAP 1/8 M OT.NIK EI.CN	1,00			--
0078	RCDS59682	00059682	CAP 1/8 M OT.NIK EI.CN	1,00			--

Table: SCHEMA ELECTRIC



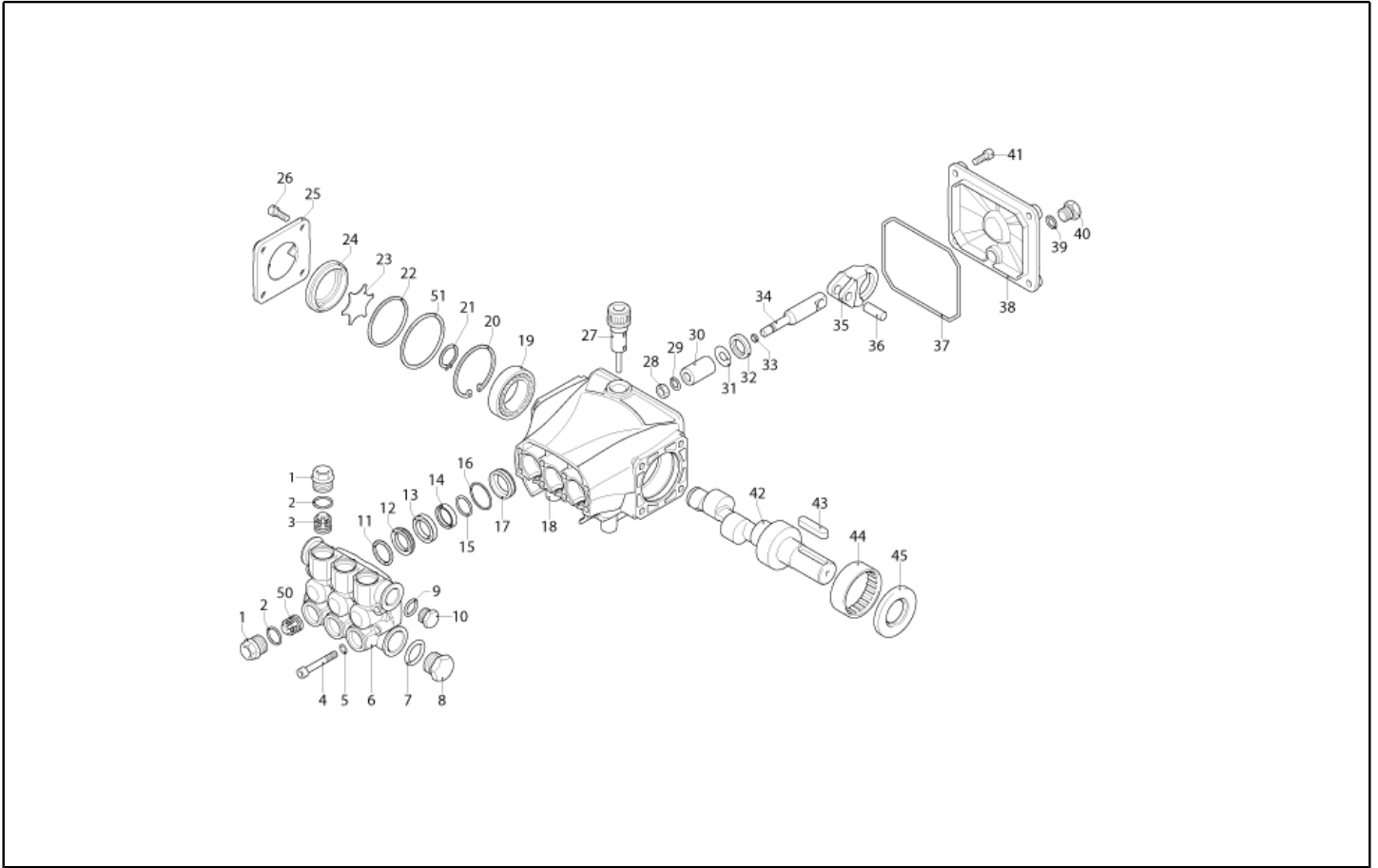
Ref. K	Part n.	Part n. 2	Description	Quantity	Validity		Price
					From	To	
K	METT40013		CONTACTOR SIE 3RT 2017-1AV01 400V	1,00			--
IG	MECI40020		SWITCH BRM BP. 0-1 12A	1,00			--
P1	MEPF39741	00039741	PRESSURE SWITCH MTM 1/8M NA/NC 25B. MICRO	1,00			--
P2	MEPF39902	00039902	PRESSURE SWITCH MTM 1/4M NA/NC 25B. MICRO	1,00			--
RC	MECE40054		FILTER RC 3RT2916-1CF0	1,00			--
CV1	MECB40002		CABLE H07 RNF 4X1.5 L=6.500	1,00			--
0041	TBAP20264	00020264	H.P. HOSE SAE MT 8 D.6 IRV F - 1/4F	1,00			--

Table: PUMP



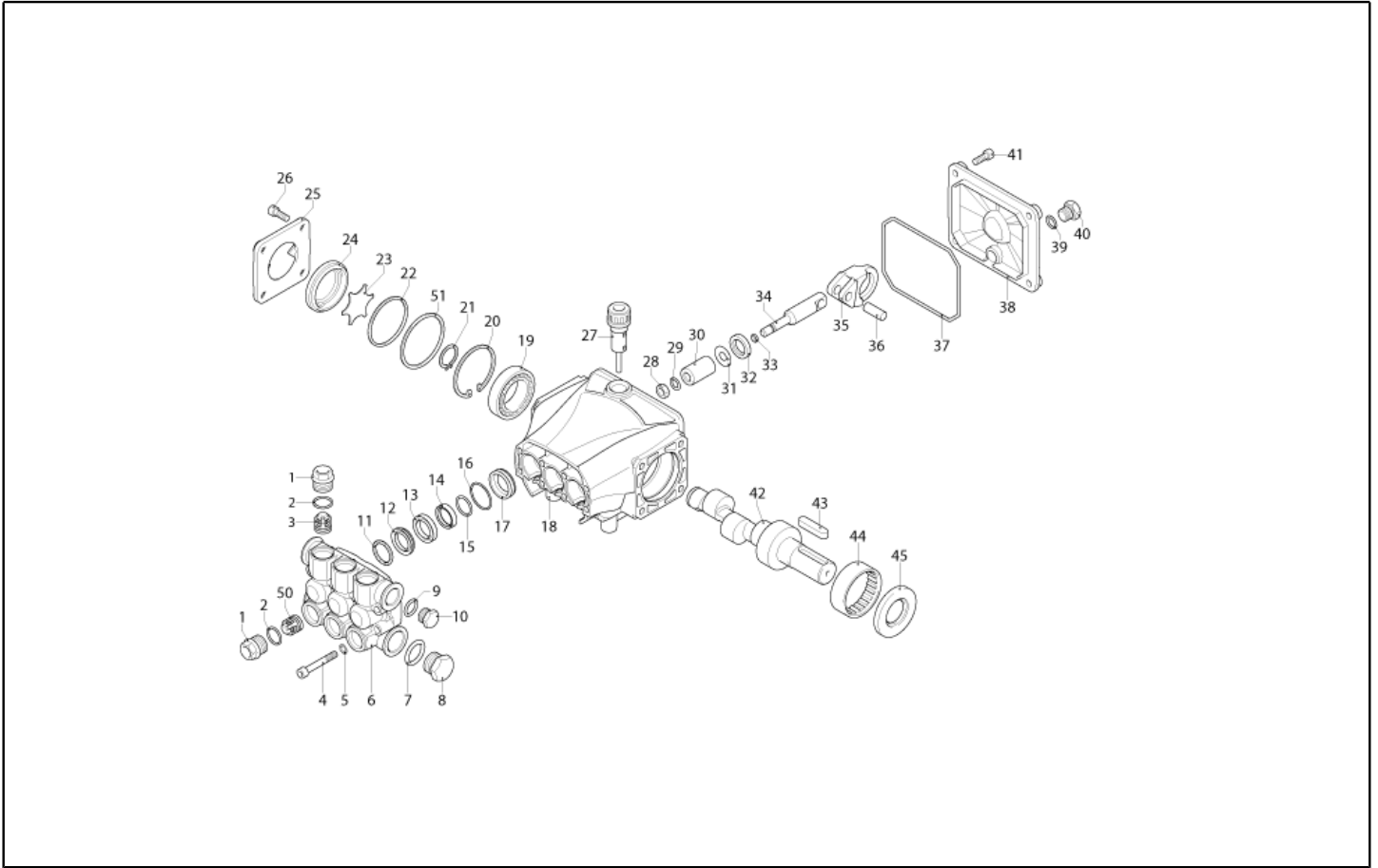
Ref. K	Part n.	Part n. 2	Description	Quantity	Validity		Price
					From	To	
0001	PVVR40120		CAP AR RC	6,00			--
0002	GUGO03505	00003505	O-RING D. 15.6 X 1.78 NBR 70SH	6,00			--
0003	S VVAM40002		VALVE UNIT RC	6,00		31/07/2012	--
0003	S VVAM40002		VALVE UNIT RC	3,00	01/08/2012		--
0004	VTVT06236	00006236	SCREW TCCE UNI 5931 6X40 ZB	8,00			--
0005	VTRS01077	00001077	WASHER D. 6.4X10X0,7	8,00			--
0006	MFVR40019		HEAD AR RC OT.	1,00			--
0007	GUGO19245	00019245	O-RING D. 17.5 X 2 NBR 70SH	1,00			--
0008	PVVR40121		CAP 1/2 M RC	1,00			--
0009	GUGO09720	00009720	O-RING D. 14 X 1.78 NBR 70SH	1,00			--
0010	PVVR40099		CAP 3/8 M HRM	1,00			--
0011	S PVVR40122		HEAD RING D. 18 RC	3,00			--
0012	S GUVR40035		PACKING D. 18 RC H.P.	3,00			--
0013	PVVR40123		INTERMED. RING D. 18 RC	3,00			--
0014	S GUVR40036		PACKING D. 18 RC L.P.	3,00			--
0015	S GUVR40037		ANTI-EXTR.RING D.21	3,00			--
0016	S GUGO19290	00019290	O-RING D. 23.52 X 1.78 NBR 70SH	3,00		31/03/2014	--
0016	S GUGO08182	00008182	O-RING D. 21.91 X 1.78 NBR 70SH	3,00	01/04/2014		--
0017	PVVR40124		PACKING RETAIN. D. 18 RC	3,00			--
0018	MFVR40020		PUMP CRANKCASE AR RC	1,00		31/03/2014	--
0018	MFVR40027		PUMP CRANKCASE AR RCS	1,00	01/04/2014		--
0019	CUVR28336	00028336	BALL BEARING 6304	1,00			--
0020	VTAE09661	00009661	CIRCLIP D. 52 UNI 7437	1,00			--
0021	VTAE06193	00006193	CIRCLIP D. 20 UNI 7435	1,00			--
0022	GUGO02561	00002561	O-RING D. 47.3 X 2.62 NBR 70SH	1,00			--
0023	PVVR40125		DISC RC	1,00			--
0024	PVVR40126		OIL INDICATOR RC	1,00			--
0025	MFVR40021		CRANKASE COVER AR RC LT.	1,00			--
0026	VTVT01531	00001531	SCREW TE 6X 16 UNI 5739	4,00			--
0027	PVVR19231	00019231	OIL CAP XTS	1,00		31/03/2014	--
0027	PVVR40436		OIL CAP RC	1,00	01/04/2014		--
0028	VTDD00483	00000483	NUT M 8 ZIN UNI 5588	3,00			--
0029	VTRS19394	00019394	WASHER D. 8X13X0,5	8,00			--
0030	S PIVR40005		PISTON D.18X30 RC	3,00			--
0031	PVVR19233	00019233	DISC XTS	3,00			--
0032	S GUGO09690	00009690	OIL SEAL 15X 24X 5 NBR70	3,00			--
0033	GUGO08071	00008071	O-RING D. 4.48 X 1.78 NBR 70SH	3,00			--
0034	PVVR40127		PISTON GUIDE RC	3,00			--
0035	BLVR40001		CONNECTING ROD RC	3,00			--
0036	PVVR40128		GUDGEON D. 9X23 RC	3,00			--
0037	GUGO18695	00018695	O-RING D. 101.27 X 2.62 NBR 70SH	1,00			--
0038	MFVR40022		CRANKASE COVER AR RC	1,00			--
0039	GUGO01036	00001036	O-RING D. 10.82 X 1.78 NBR 70SH	1,00			--
0040	PVVR40129		CAP 1/4 M RC	1,00			--

Table: PUMP



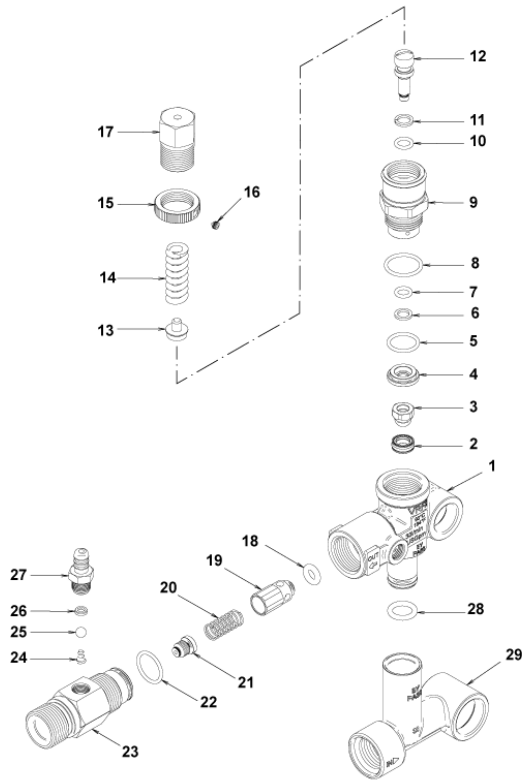
Ref. K	Part n.	Part n. 2	Description	Quantity	Validity		Price
					From	To	
0041	VTVT09913	00009913	SCREW TCEI 6X16 UNI5931	4,00			--
0042	ALMO40006		SHAFT AR RC 14LT VRS. N	1,00			--
0043	VTVR41531	00041531	KEY 8X 7X35 UNI 6604A	1,00			--
0044	CUVR23636	00023636	ROLLER BEARING HK 4516	1,00			--
0045	S GUGO00999	00000999	OIL SEAL 25X 52X 7 NBR70	1,00			--
0050	S VVAM40007		VALVE UNIT RC ASP. BK	3,00	01/08/2012		--
0051	PVVR40437		RING D. 51.8 X0.5	1,00	01/04/2014		--

Table: PUMP



Ref. Part n.	Cust. part n.	Description	Reference	Price
KTRI40092		KIT P 15-2186 RC	0003	--
KTRI40093		KIT P 15-42917 RC	0030	--
KTRI40094		KIT P 15-42919 D.18 RC	0012 0014 0015 0016	--
KTRI40095		KIT P 15-42903 D.18 RC	0011	--
KTRI40096		KIT P 15-42918 RC	0032 0045	--
KTRI40207		KIT P 15-42914 RC 3+3 BL./WH.	0003 0050	--

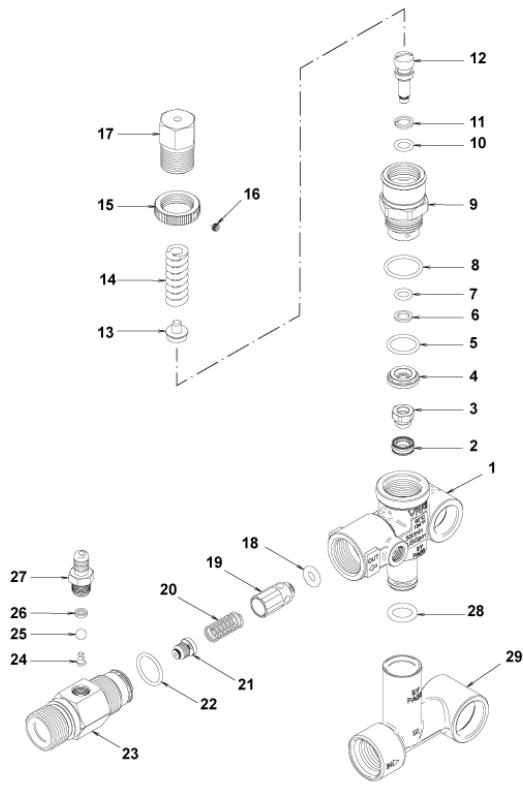
Table: VALVE



Ref. K	Part n.	Part n. 2	Description	Quantity	Validity		Price
					From	To	
0001	PVVR40375		VALVE BODY VRF2 +G1/8 F	1,00			--
0002	S PVVR40363		VALVE SEAT MV124 +OR	1,00			--
0003	S PVVR40364		COUPLING MV124	1,00			--
0004	S PVVR40365		SPACER MV124	1,00			--
0005	S GUGO12322	00012322	O-RING D. 14 X 1.78 NBR 90SH	1,00			--
0006	S GUVR40072		ANTI-EXTR.RING D. 6.5X 9.4	1,00			--
0007	S GUGO83861		O-RING D. 6.07 X 1.78 NBR 90SH	1,00			--
0008	S GUGO24913	00024913	O-RING D. 17.17 X 1.78 NBR 90SH	1,00			--
0009	S PVVR40366		CONNECTOR VRF2 D.10	1,00			--
0010	S GUGO03500	00003500	O-RING D. 6.75 X 1.78 NBR 70SH	1,00			--
0011	S GUVR40073		ANTI-EXTR.RING D. 7.1X10 X1.2 TBT	1,00			--
0012	S PVVR40367		SMALL PISTON D.10 VRF2	1,00			--
0013	PVVR40368		SPRING PLATE MV124 25B	1,00			--
0014	MLML40027		SPRING D. 3.0/6.0 X38.85	1,00			--
0015	PVVR40369		RING NUT MV167.09	1,00			--
0016	VTVT89696		SCREW EI-ST 4X 4 UNI5927 ZC	1,00			--
0017	PVVR40370		CAP VRF2 M18X1	1,00			--
0018	S GUGO46053	00046053	O-RING D. 6 X 3 NBR 90SH	1,00			--
0019	S PVVR40349		COUPLING VRT3	1,00			--
0020	S MLML40026		SPRING VRT3	1,00			--
0021	S UGEI40010		NOZZLE D. 2.1 VRF-2	1,00			--
0022	S GUGO12321	00012321	O-RING D. 15.6 X 1.78 NBR 90SH	1,00			--
0023	S PVVR40376		METERING. BODY VRF-2 M22 M	1,00			--
0024	S MLML47996	00047996	SPRING D. 5.5	1,00			--
0025	S SFVR40001		BALL D. 7/32" AISI 316/L	1,00			--
0026	S PVVR47994	00047994	BALL SEAT MV 625	1,00			--
0027	S PVVR40014		HOSE FITTING P237-MV	1,00			--
0028	GUGO11225	00011225	O-RING D. 10.78 X 2.62 NBR 70SH	1,00			--
0029	PVVR40373		CONNECTOR VRF2.24	1,00			--

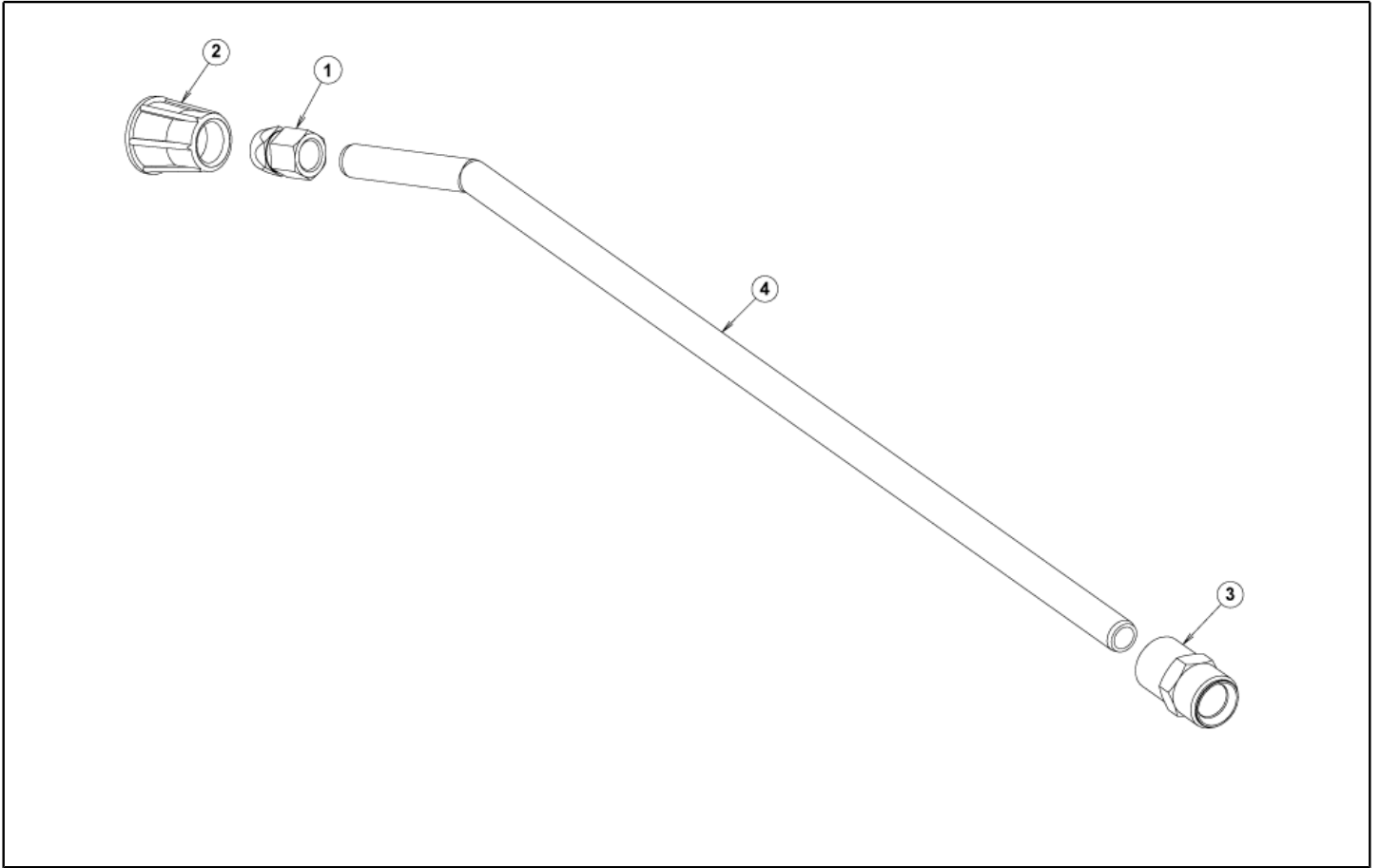


Table: VALVE



Ref. Part n.	Cust. part n.	Description	Reference	Price
KTRI40236		KIT P 14-103 VRF2	0002 0003 0004 0005 0006 0007 0008 0009 0010 0011 0012 0018 0019 0020 0021 0022	--
KTRI40237		KIT P 14-104 SEAL VRF2	0002 0003 0005 0006 0007 0008 0010 0011 0018 0021 0022	--
KTRI40259		KIT P 14-106 VRF2 I.2.1	0018 0019 0020 0021 0022 0023 0024 0025 0026 0027	--

Table: LANCE



Ref. K	Part n.	Part n. 2	Description	Quantity	Validity		Price
					From	To	
0001	RCVR46787	00046787	NOZZLE HOLDER 1/4-1/4 F MV	1,00			--
0002	PVVR40449		PROTECTION L.S. MV113	1,00			--
0003	RCIN40036		MALE COUPLING 1/4F -M22 L.25	1,00			--
0004	LCPR40119		TUBE 1/4 L=500 ZC. 20°	1,00			--